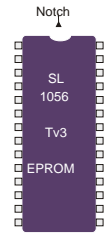


# HOME UNIT INFRA RED INSTRUCTIONS FOR SERIES 4 SYSTEMS

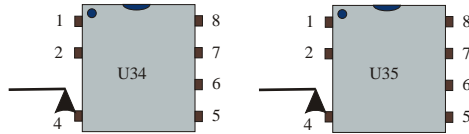
1. Remove old eprom on the ACS1056 board U13 and replace with eprom Tv3.

Note: Ensure it is place in the correct orientation.



2. On the ACS1056 board locate U34 and U35 and remove pin 3 from each.

See Acs1056 board layout below.

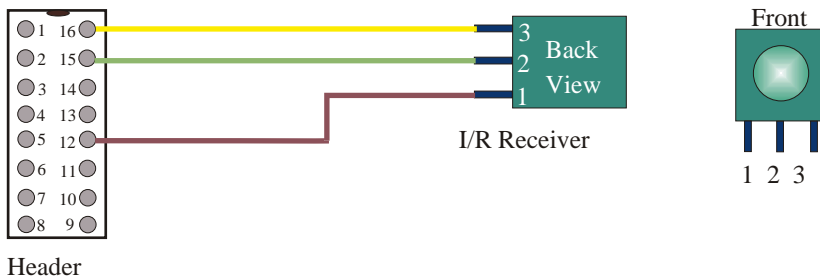


3. On the ACS1056 board remove U24 (max232 chip)

4. Insert the 16 pin IC header and cable into the vacant location U24.

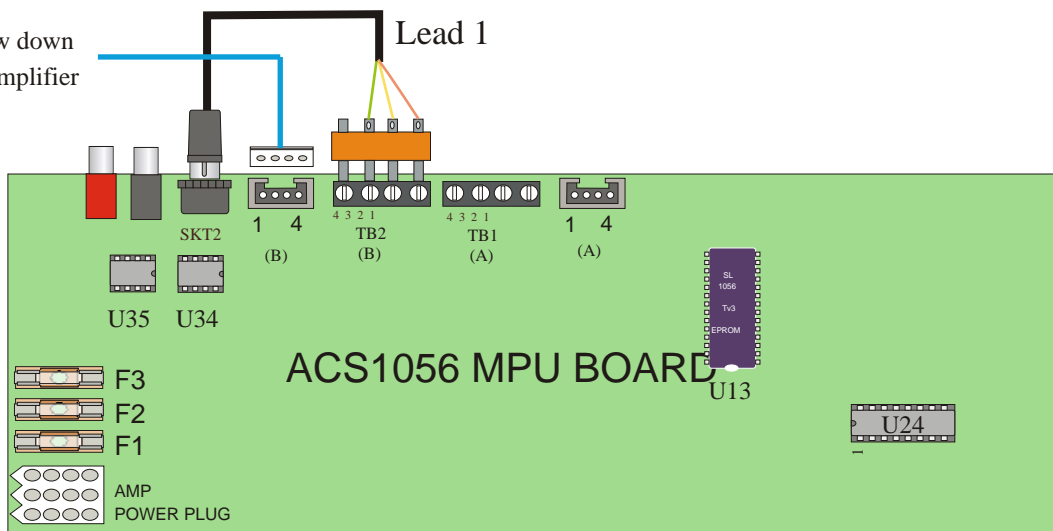
Ensure correct orientation.

Place the other end of this cable (I/R receiver) in the vacant window on the front door..



5. On the ACS1056 board connect lead 1 as shown

To 4-way screw down connector on amplifier



6. Connect the audio pickup lead as described below.

The ACS2047 is located on the left side of the cd play mechanism

Connect to ACS2047 power board on CD mechanism

